

Talis Classic
Single lever shower mixer for exposed installation
 Surfaces: **Chrome** Article Number: **14161000**



Description

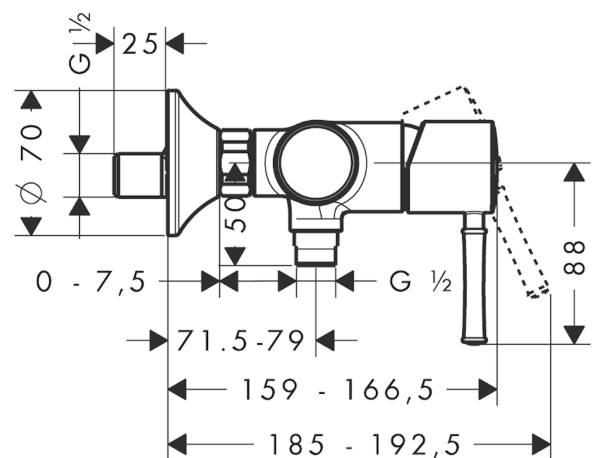
product features

- 1 outlet
- connection type: s-shaped connections
- centre distance: 150 ± 12 mm
- flow rate of hand shower at 3 bar: 16 l/min
- ceramic cartridge
- min. operating pressure: 1 bar
- max. operating pressure: 10 bar
- temperature limitation adjustable
- non-return valve
- with silencer
- hose connection DN15
- connection dimension: DN15
- DVGW NW-6506CL0483
- ETA VA 1.42/18603
- ACS 17 ACC LY 154, valide jusqu'au 05.05.2021
- WRAS 1807038
- WRAS 1807038
- Kiwa K6161_Mechanical Mixers EN817
- SINTEF 1433

Product image



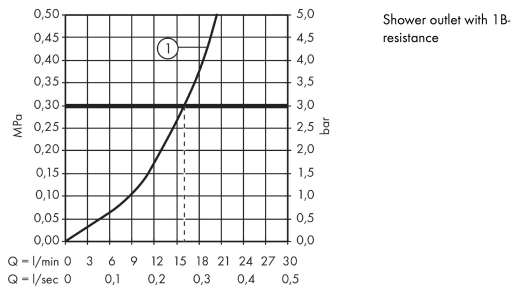
Scale drawing



Talis Classic
Single lever shower mixer for exposed installation
 Surfaces: **Chrome** Article Number: **14161000**



Flowchart

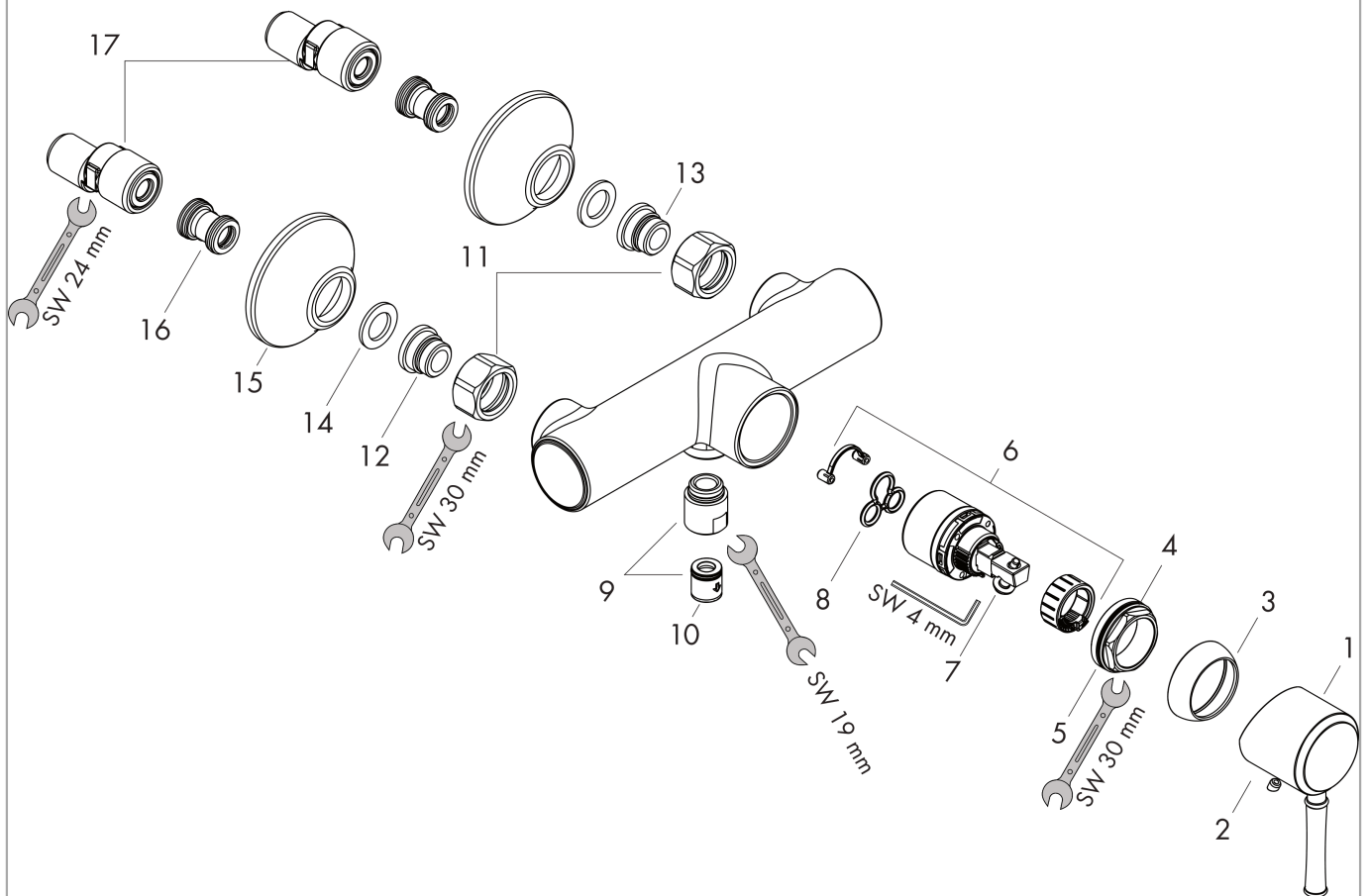


Talis Classic
Single lever shower mixer for exposed installation
 Surfaces: **Chrome** Article Number: **14161000**



Exploded Drawing

Year of production: >04/08



Talis Classic
Single lever shower mixer for exposed installation
 Surfaces: **Chrome** Article Number: **14161000**



Spare part list

Year of production: >04/08

Pos.	Description	Article Number	PC	PU
1	handle	14193000	8	1
2	screw cover	96338000	1	1
3	flange	97406000	6	1
4	nut	97209000	5	1
5	O-Ring 32x2	98193000	1	1
6	cartridge, assy	92730000	11	1
7	locking screw for handle	95140000	2	1
8	seal	95008000	3	1
9	Hose Connection	96044000	7	1
10	set of non return valves DW 15	94074000	5	1
11	set of nuts	96157000	8	1
12	connecting thread	97220000	5	1
13	O-ring 15x2	98163000	1	1
14	filter packing	96922000	3	1
15	escutcheon Ø 70 mm	96346000	6	1
16	noise reduction	96429000	2	1
17	set of S-unions (±12 mm)	94140000	10	1
a	set of S-unions (±32 mm)	98592000	9	1